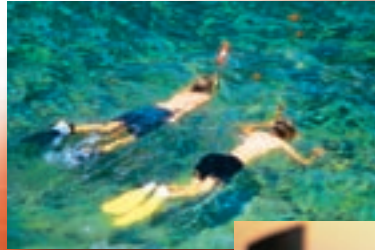


QSS-3300

Digital



QSS-3300 Digital
QSS-3300 DLS

NORITSU

The QSS-3300 is an entry-level minilab that offers excellent value and a robust set of features. Designed for lower-volume environments, the QSS-3300 provides excellent productivity along with the steadfast reliability that has made Noritsu synonymous with quality photofinishing equipment.

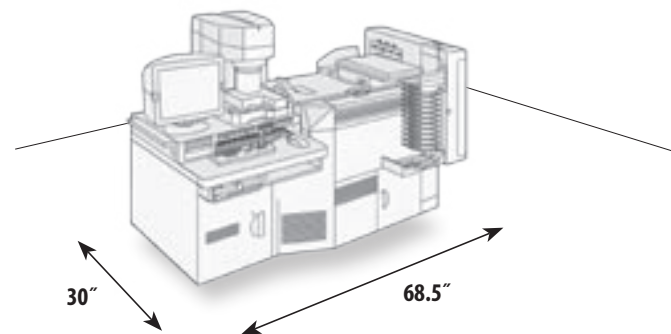


High-Speed, High Capacity Processor

A high speed printer-processor produces quality prints of various sizes, from wallet size to a maximum of 8" x 16.5" enlargements. Create up to 750* prints per hour from digital cameras or negative film with exceptional productivity and profitability.

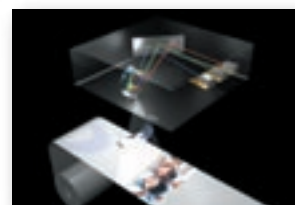
Ultra Compact Design

With a footprint of just 13.78 square feet, the QSS-3300 is the ideal minilab for labs with floor space restrictions.



Excellent Quality

300 dpi High Quality Laser Exposure System



The industry's only multi-paper matching system automatically customizes each job to optimize quality and produce outstanding 300 dpi results. Whether you print from digital camera media or any other source, you'll achieve delicate gradations, sharp lines, and vivid colors.

STREAMLINED WORKFLOW

Easy Operation



It doesn't get any easier than this. Simply click on easy-to-understand icons for virtually any digital service you want. Jobs are easier to process, productivity increases and workflow improves dramatically.

Digital Print Services

The QSS-3300 accepts input from a wide variety of sources including digital camera media, film and application software. Output options include prints, CD-R media and even high-margin specialty prints using photo templates and photo greeting cards.

Order Sorter

The QSS-3300's conveyer order sorter can sort up to 4 orders.



Economical and Efficient



Multi-paper matching automatically customizes each job to optimize quality and produce outstanding 300 dpi output. Daily setup is streamlined with no monthly or weekly setup required. Easy access to internal parts means maintenance is a snap.

Labor Saving Options

Optional Dual Magazine

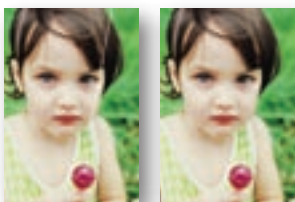


Adding an optional dual magazine allows you to print various sizes without stopping to change cartridges.

QSS-3300 Digital		
Estimated capacity from negative film (135/24 exp.)**	▶ 750	prints/hr (6"x4")
Estimated capacity from negative film (135/24 exp.)**	▶ 571	prints/hr (4"x6")
Estimated digital camera print capacity**	▶ 750	prints/hr (6"x4")
Estimated digital camera print capacity**	▶ 571	prints/hr (4"x6")
Maximum paper width	▶ 8	inches
Maximum paper length	▶ 16.5	inches

** Calculated according to our criteria. The actual capacity you achieve may vary.

Automatic Dust/Scratch Correction



Digital Ice™ and Digital Masking

Digital Ice™ is a powerful, easy-to-use image enhancement tool. It automatically removes dust and scratches on the base layer of film, turning damaged or flawed images into beautiful, blemish-free prints. When Digital Ice™ is unable to correct, Noritsu Digital Masking corrects for dust and deep scratches in the emulsion layer of film.

Digital Ice™ is a Trademark of Eastman Kodak

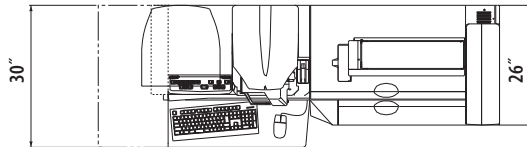


QSS-3300 Digital

QSS-3300 DIGITAL SPECIFICATIONS	
Exposure System:	Laser scanning exposure by paper movement
Compatible Input Media:	Standard: FD, CD-ROM, CD-R, CD-RW, CompactFlash, Microdrive, SmartMedia, PC Card, SD Card, MMC, Memory Stick, Memory Stick Pro, xD-Picture card (Adapter required),
Optional Input Media:	ZIP, DVD-ROM, DVD-RAM
Compatible Output Media:	Standard: FD, CD-R, CD-RW, CompactFlash, Microdrive, SmartMedia, PC Card, SD Card, MMC, Memory Stick, Memory Stick Pro, xD-Picture card (Adapter required)
Optional Output Media:	ZIP, DVD-ROM, DVD-RAM
Print Resolution:	300 dpi
Exposure Speed:	2.3 in/sec
Print sizes:	Paper Width: 3.25", 3.5", 4", 4.5", 4.6", 4.7", 5", 5.1", 6", 6.5", 7", 8" Paper Advance Length: 3.25" to 16.5"
Display Monitor:	17 inch color display monitor
Transport System:	Roller transport
Processing Speed:	64.5 in/min
Paper Supply:	Single magazine system, Dual magazine system (option)
Paper Specifications:	Maximum diameter of paper roll: 9.8"
Weight:	Scanner: Approx. 48.5 lbs. Printer-Processor: Approx. 875.5 lbs. Approx. 903 lbs. (SM)
Light Source of S-3 Film Scanner:	LED Array
Film Size:	110, 135F, 135H, 135FP, 135P, IX240 (C,H,P), 120/220 (6x4.5, 6x6, 6x7, 6x8, 6x9)
Film Types:	Color negative and positive (including mounted) B&W negative, Sepia negative
Film Carrier:	135/240 AFC-II: Compatible with both 135 and IX240 negative and positive film. Lane changes performed manually. Optional: 110 AFC, 120 AFC, 135/240 MMC, 135/240 AMC

135 negative film (24 exp.) and Digital Camera (2.5 megapixels)

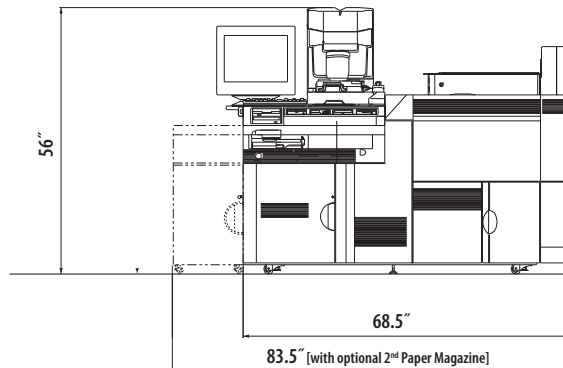
PRINT SIZE width x paper advance length	PROCESSING CAPACITY (PRINTS/HR)*
	QSS-3300
5"x 3.5"	Approx. 750
4"x 6"	Approx. 571
6"x 4"	Approx. 750
8"x 10"	Approx. 210



Top Views

IX240 negative film (25 exp.)

PRINT SIZE	PROCESSING CAPACITY (PRINTS/HR)*
	QSS-3300
3.5" paper width (C,H,P intermixed)	Approx. 530



Front Views

*The capacity of the machine varies with the process chemicals used, the condition of the negatives printed, etc. Calculated according to our criteria. The actual capacity you achieve may vary.

Specifications are subject to change without notice. QSS is a registered trademark of Noritsu.

• **Noritsu America Corporation:** 6900 Noritsu Avenue, Buena Park, California 90620-1372 (714) 521-9040 • **Western Regional Office:** 6950 Noritsu Avenue, Buena Park, California 90620-1311 (714) 521-9040 • **Eastern Regional Office:** 336 Route 46 East, Fairfield, New Jersey 07004-2429 (973) 808-9898 • **Midwest Regional Office:** 755 Tollgate Road, Elgin, Illinois 60123-9301 (847) 888-8000 • **Southern Regional Office:** 2989 North Stemmons Freeway, Dallas, Texas 75247-6193 (214) 631-2400 • **Latin America Regional Office:** 1800 N. Commerce Parkway, Suite 2, Weston, Florida 33326 (954) 385-3775 • **Government Sales Office:** 8000 Towers Crescent Drive, Suite 1350, Tysons Corner, Virginia 22182-2700 (703) 821-0007 • **Subsidiary; Noritsu Canada Ltd.:** 2680 Argenta Road, Mississauga, Ontario, Canada, L5N 5V4 (905) 567-8982 • **Subsidiary; Noritsu de México S.A. de C.V.:** Plaza Mayorazgo de Luyando No. 7, Col. Xoco, Delegación Benito Juárez, C.P. 03330 México, D.F. (52) 5-601-0429